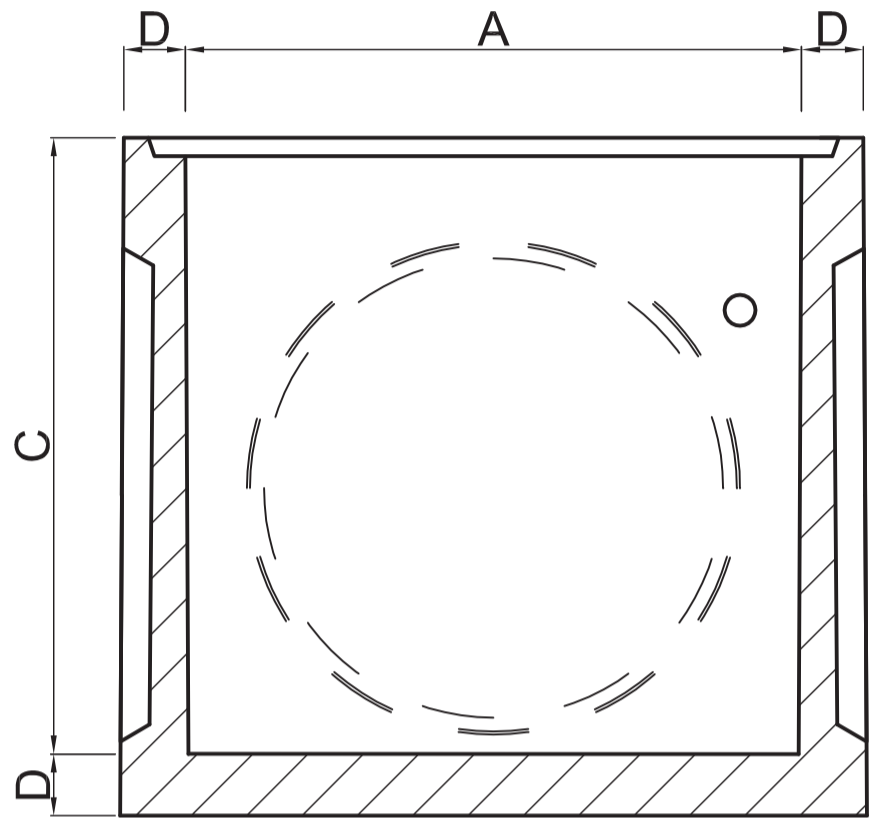
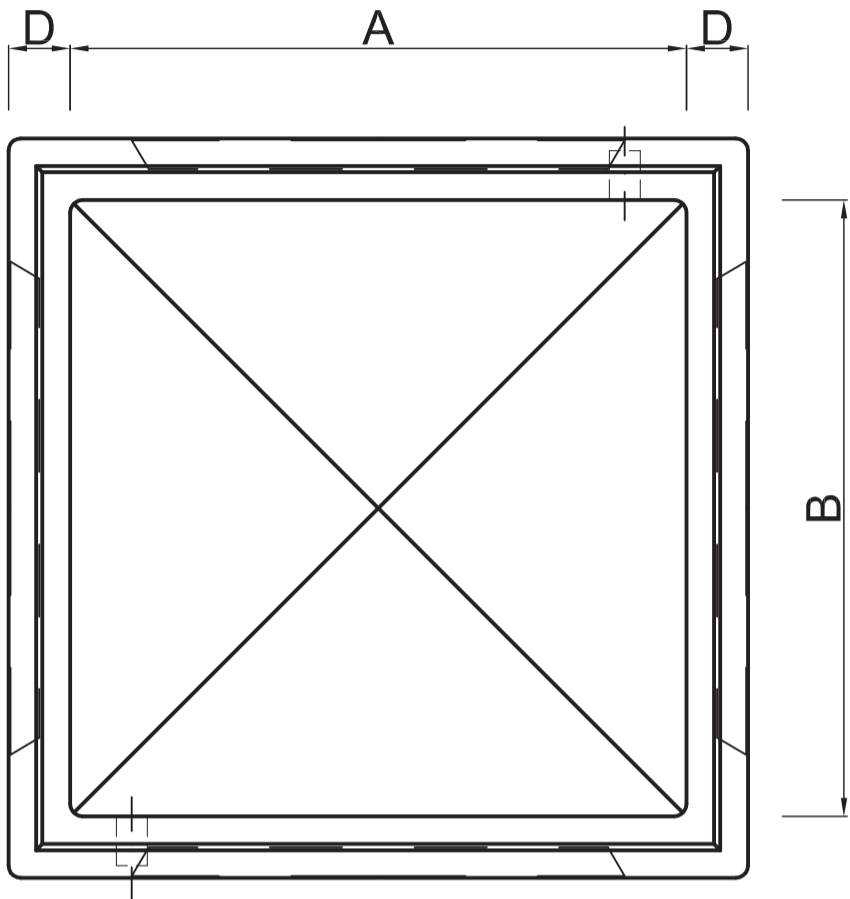


Pusetă Betoni



CONCRETE MANHOLES

	A	B	C	D	
Nr.	Internal Diameter (mm)	Length(cm)	External Diameter (mm)	Wall thickness (mm)	Weight (kg)
1	150	150	150	150	3600
2	100	100	100	100	1176
3	80	80	90	100	865
4	60	40	50	100	290
5	Ø100		80	200	1850