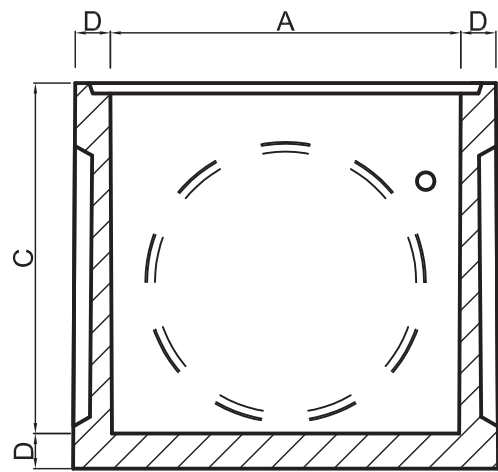
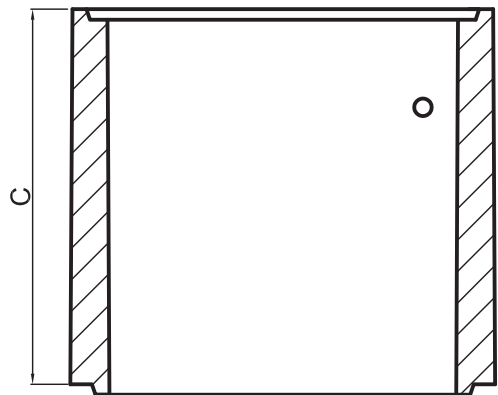
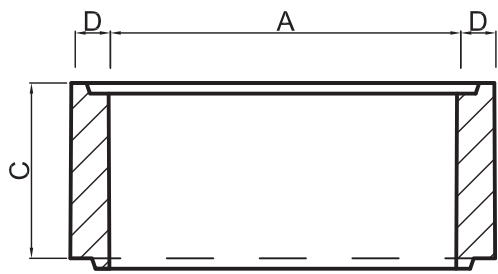


Reductore lartesie per pusetta



HIGH REDUCERS FOR CONCRETE MANHOLES

	A	B	C	D	
Nr.	Internal Diameter (mm)	Length(cm)	External Diameter (mm)	Wall thickness (mm)	Weight (kg)
1	150	150	75	150	1782
2	100	100	100	100	1176
3	100	100	50	100	588
4	80	80	100	100	864
5	80	80	50	100	432
6	60	40	50	100	290
7	60	40	25	100	145
8	Ø100		60	100	504
9	Ø100		30	100	252